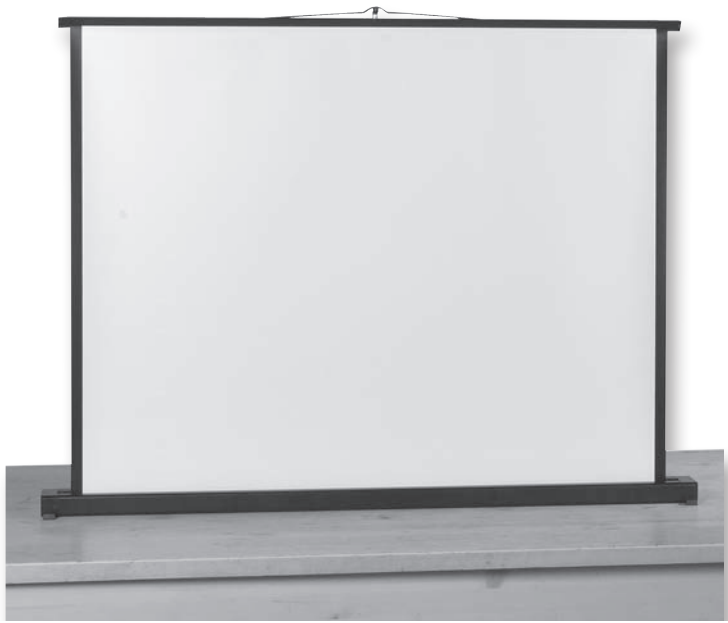


# Eyeline<sup>®</sup> Tabletop portable projection screen



## Projection format

This screen offers an impressive 50" Diagonal (127cm) Video 4:3 format projection surface.

## Material & borders

Matte white projection surface. Vertical black borders, top bar and case create a visual frame to your image.

## Operation

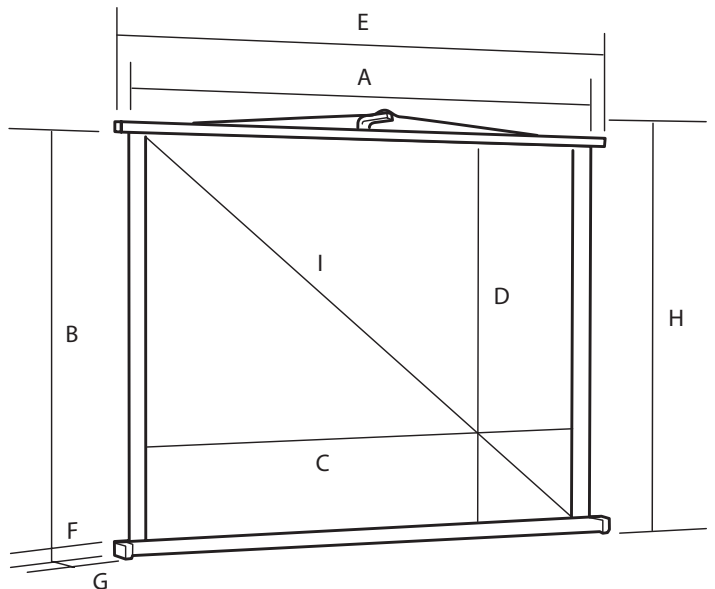
Easy to setup – Simply fold out feet at each end of the case for stability, attach pole stored within the case and raise screen into position.

## Portability

Screen is incredibly lightweight at only 1.65kg, ideal for multi-room, multi-venue use.

This projection screen is incredibly compact, light and portable. Ideal for small group tabletop presentations and for use in meeting rooms.

12 month guarantee.



Product Code	Size	Format	A Screen Width mm	B Screen Height mm	C View Width mm	D View Height mm	E Case Length mm	F Case Height mm	G Case Depth mm	H Overall Height mm	I Diagonal inches	Weight kg
SS5500	50"	4:3	1055	850	1015	790	1160	38	65	888	50	1.65